

Technical data sheet

Product features



Cooling counter GN1/1, 1X door, 1x 1/2 drawer, with sink and splash back, stainless steel 230V

Model	SAP Code	00003903
--------------	-----------------	----------

– Max ambient temperature [°C]: 43



SAP Code	00003903	Net Weight [kg]	110.00
Net Width [mm]	1380	Power electric [kW]	0.320
Net Depth [mm]	700	Loading	230 V / 1N - 50 Hz
Net Height [mm]	850		

Technical data sheet

Technical drawing

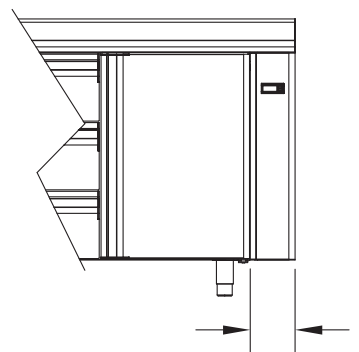
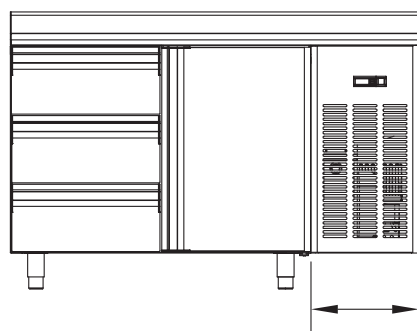
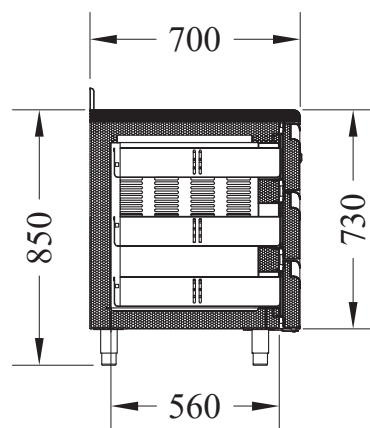
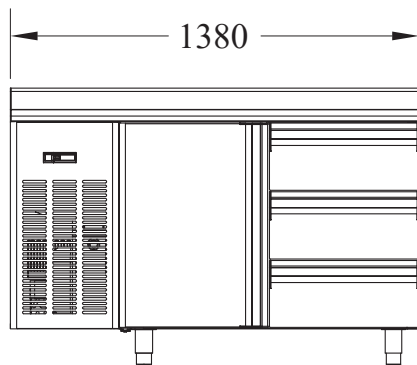
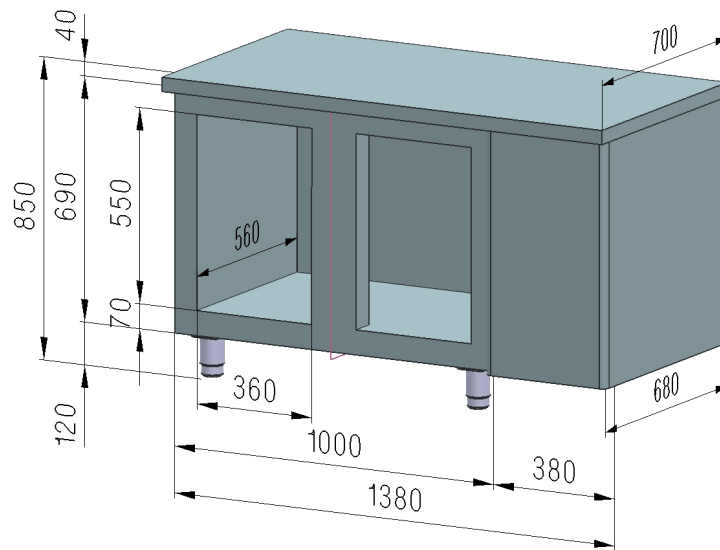


Cooling counter GN1/1, 1X door, 1x 1/2 drawer, with sink and splash back, stainless steel 230V

Model

SAP Code

00003903



Technical data sheet

Technical parameters



Cooling counter GN1/1, 1X door, 1x 1/2 drawer, with sink and splash back, stainless steel 230V

Model

SAP Code

00003903

1. SAP Code:

00003903

2. Net Width [mm]:

1380

3. Net Depth [mm]:

700

4. Net Height [mm]:

850

5. Net Weight [kg]:

110.00

6. Gross Width [mm]:

1450

7. Gross depth [mm]:

750

8. Gross Height [mm]:

900

9. Gross Weight [kg]:

130.00

10. Power electric [kW]:

0.320

11. Loading:

230 V / 1N - 50 Hz

12. Min ambient temperature [°C]:

10

13. Max ambient temperature [°C]:

43

14. Gross Volume [m3]:

0.979

15. Net Volume [m3]:

0.821